

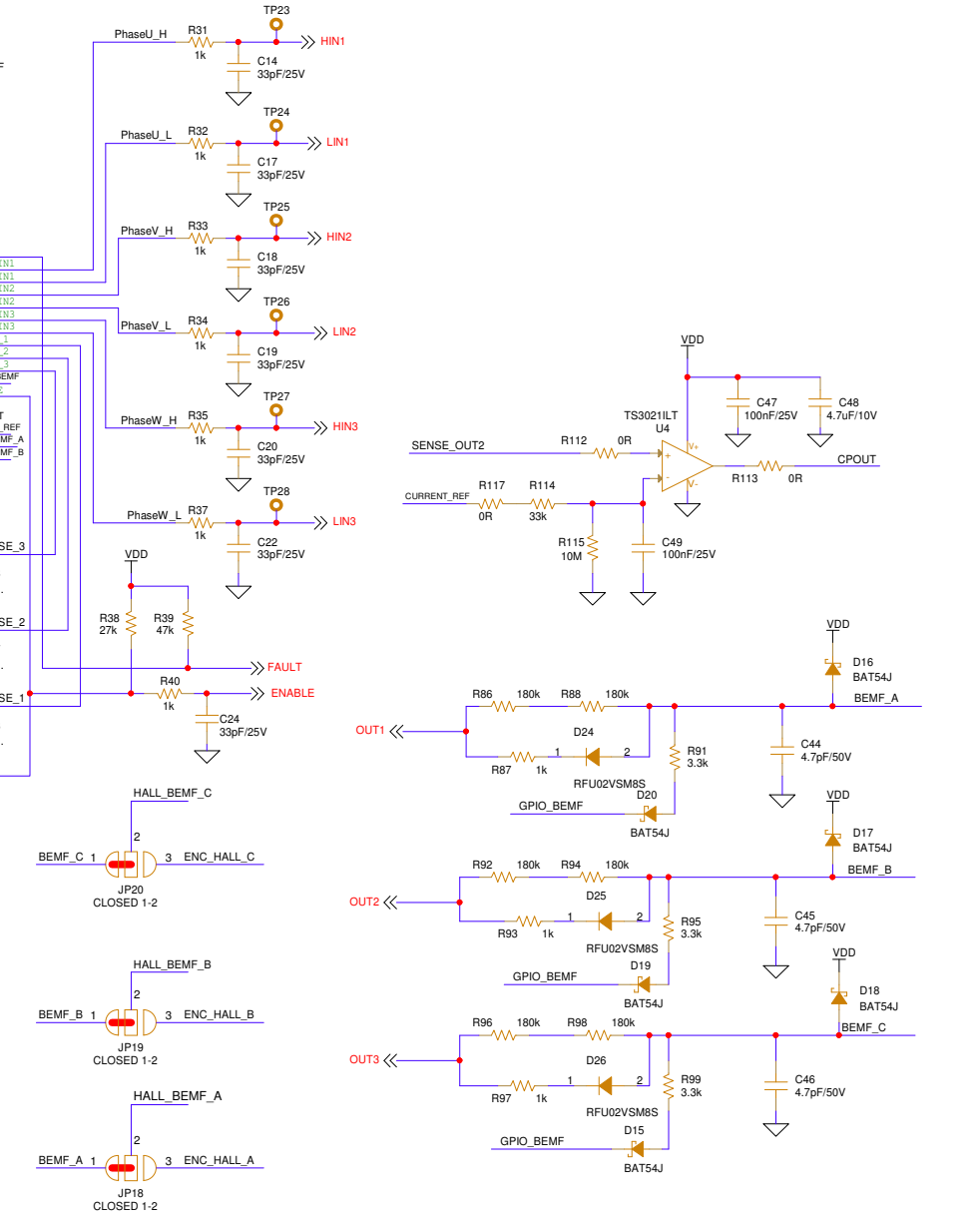
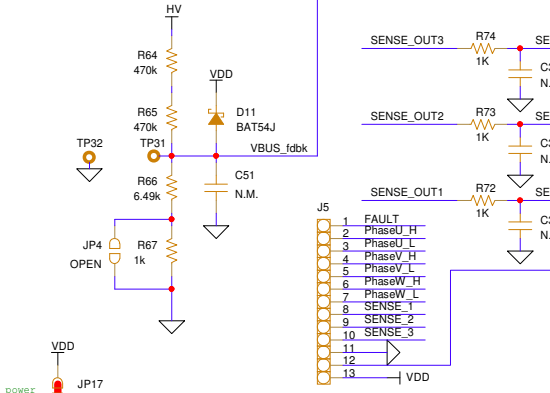
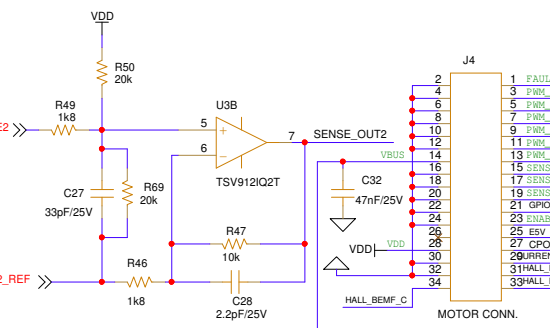
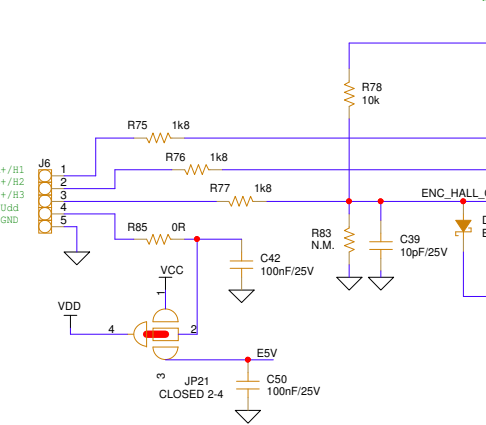
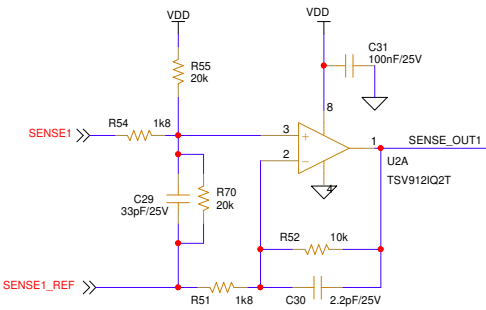
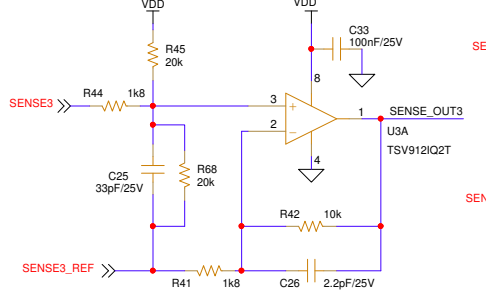
**DEFAULT CONFIGURATION**

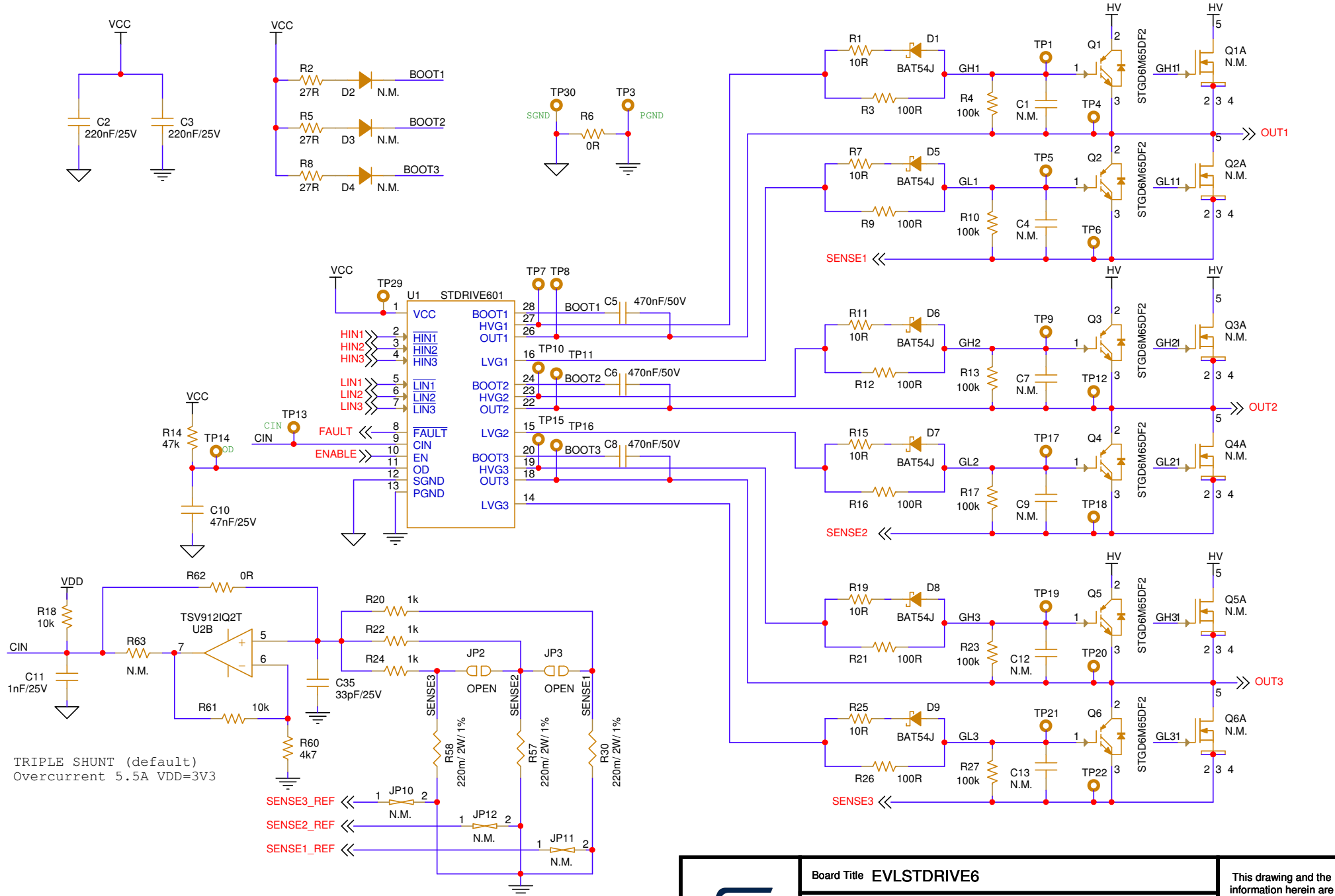
F.O.C. 3 shunt

VCC=15

JP3 closed (VDD=3V3)

6step  
R45, R50, R55 D.N.M.





TRIPLE SHUNT (default)  
Overcurrent 5.5A VDD=3V3

	Board Title <b>EVLSTDRIVE6</b>		This drawing and the information herein are property of STMicroelectronics and are intended for evaluation purpose only	
	Sheet Title <b>OUTPUT STAGE</b>			
Doc No <Doc>	Date Wednesday, February 04, 2026	Rev <RevCode>	Sheet <xx> / <xx>	