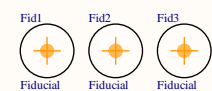
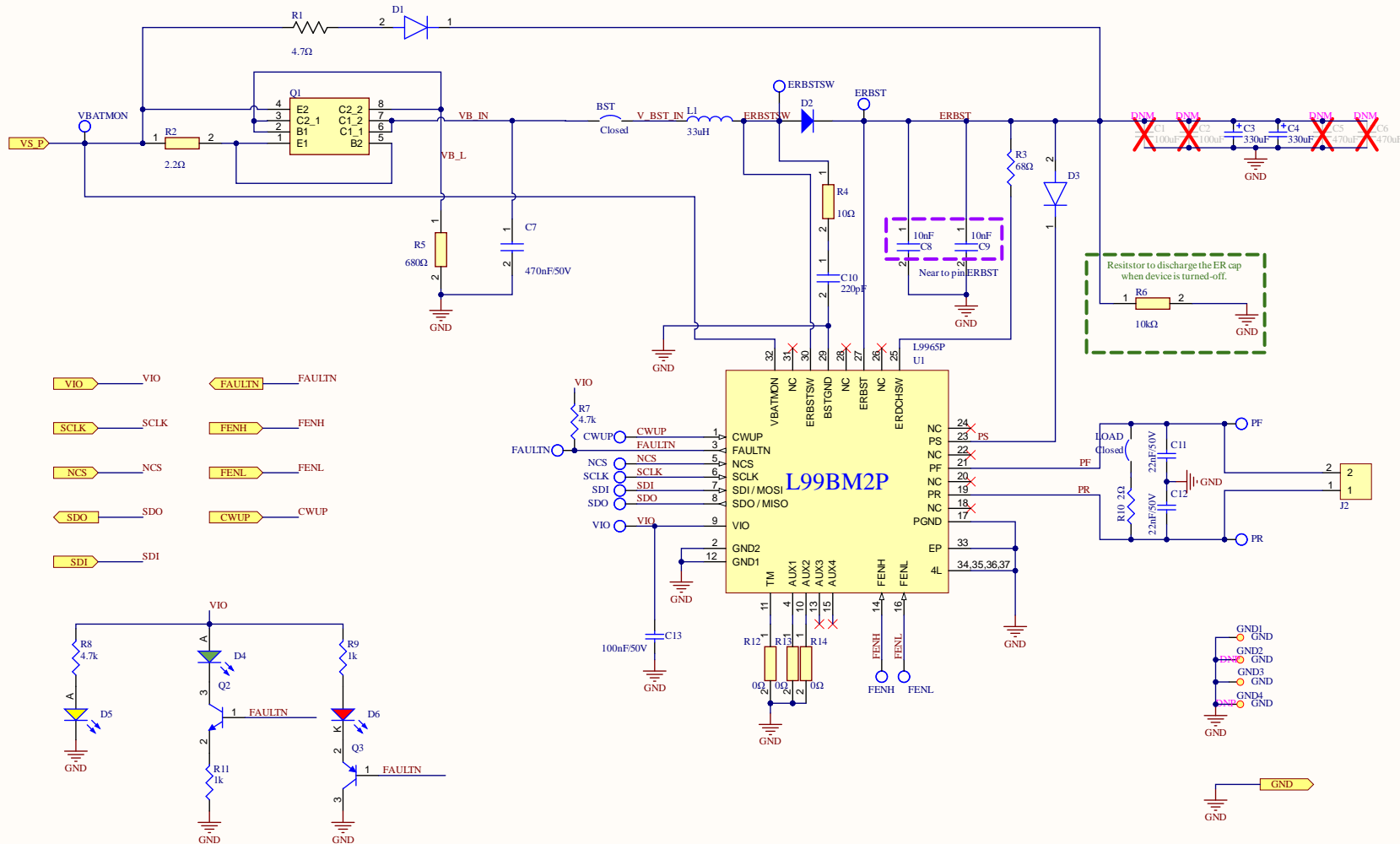


**STMicroelectronics**  
 APMS-SPS Subgroup  
 life.augmented



Title: <b>UR6WL9965P Promotion Board TQFP32(3Q)</b>	
Part number: <b>APMS-ASP-ASA-01-2512-07-R.0.0</b>	Revision: <b>R.0.0</b>
Date: <b>09/04/2025</b>	Size: <b>A3</b>
Document name: <b>TOP.SchDoc</b>	Sheet 1 of 4

"THE DRAWING IS PROPERTY OF ST THAT RESERVES THE RIGHTS ENACTED FROM THE LAWS"  
 "STMicroelectronics assumes no responsibility for the consequences of the use of this board"

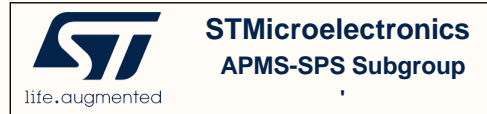
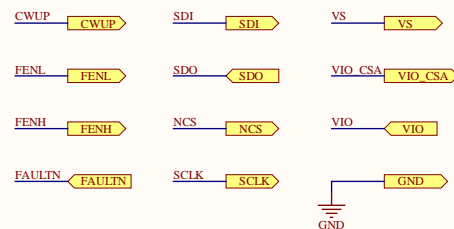
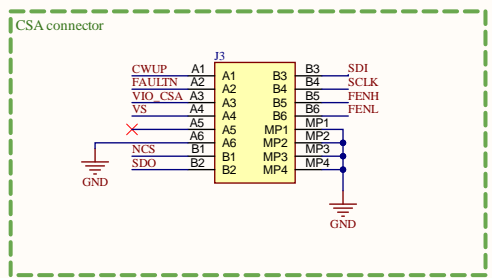
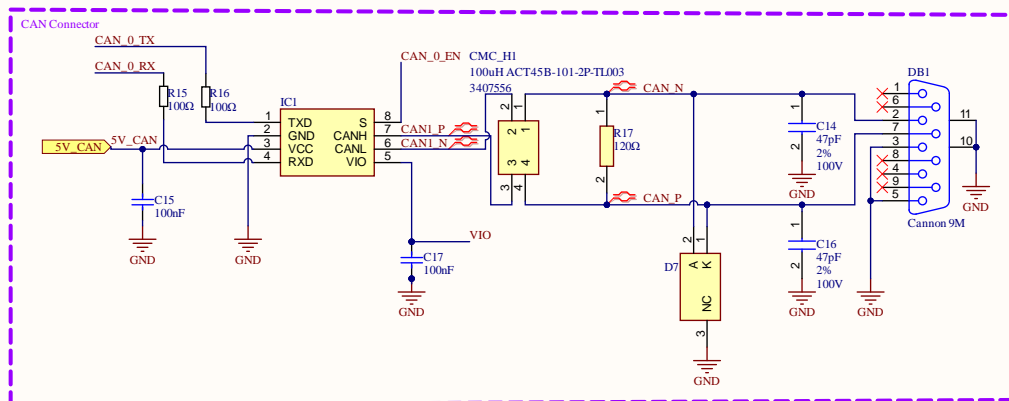
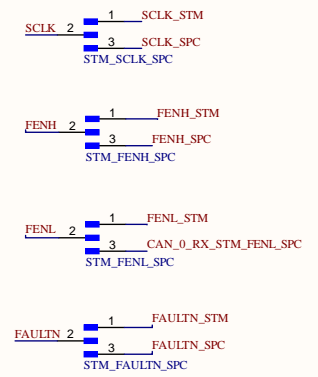
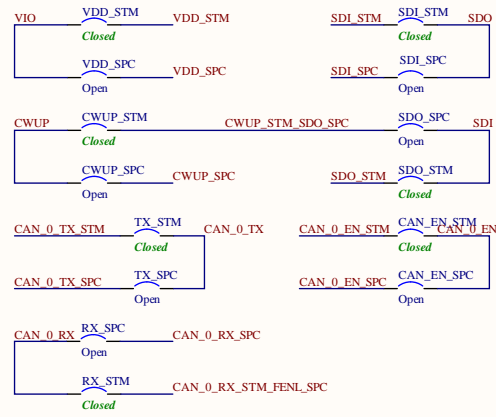
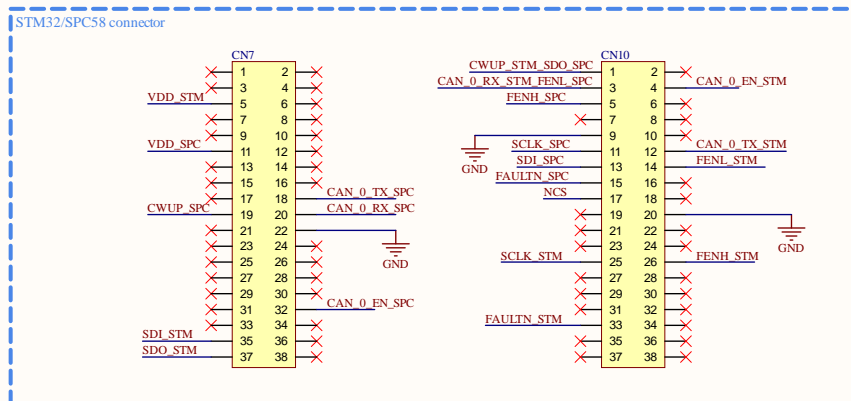


- VIO → VIO
- SCLK → SCLK
- NCS → NCS
- SDO → SDO
- SDI → SDI
- FAULTN → FAULTN
- FENH → FENH
- FENL → FENL
- CWUP → CWUP

**ST** **STMicroelectronics**  
**APMS-SPS Subgroup**  
 life.augmented

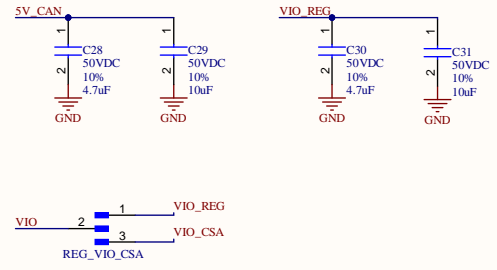
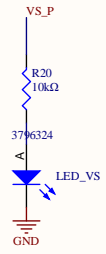
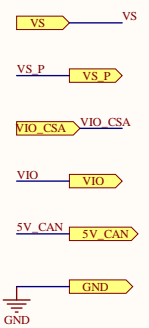
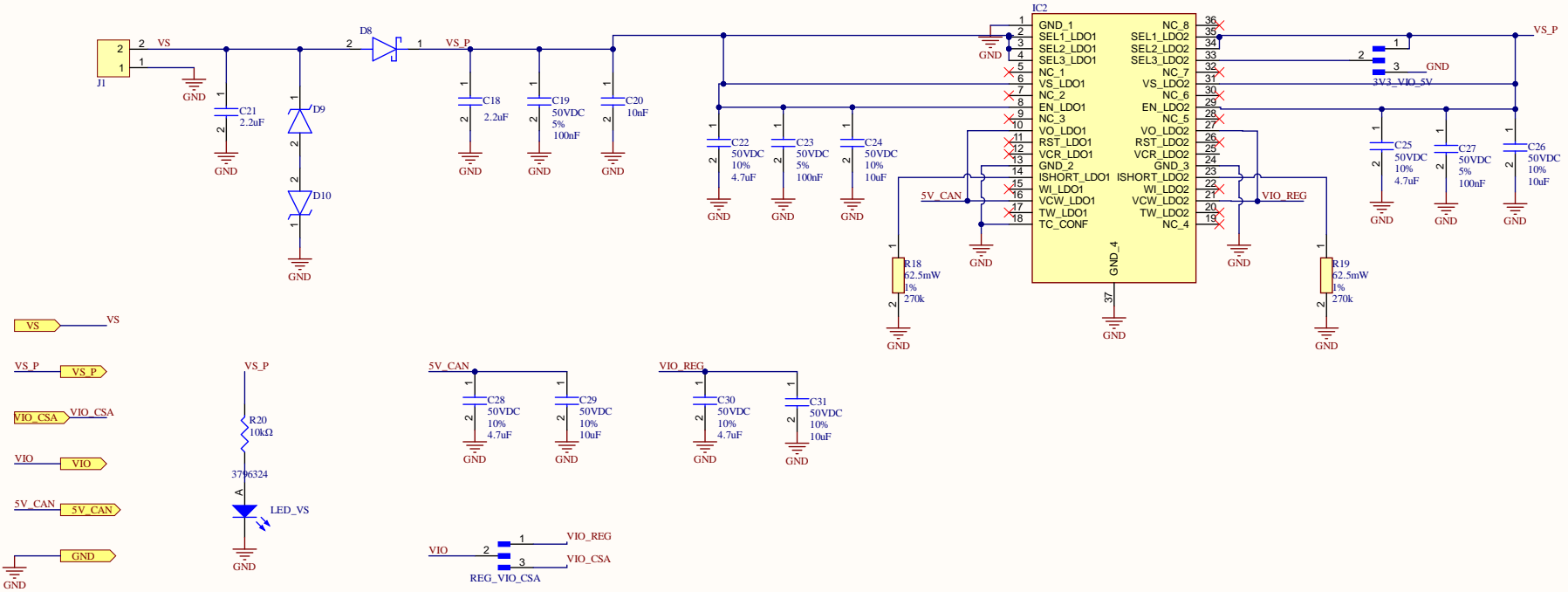
Title: <b>UR6W/L9965P Promotion Board TQFP32(3Q)</b>	
Part number: <b>APMS-ASP-ASA-01-2512-07-R.0.0</b>	Revision: <b>R.0.0</b>
Date: <b>09/04/2025</b>	Size: <b>A3</b>
Document name: <b>EVL9965P.SchDoc</b>	Sheet 2 of 4


"THE DRAWING IS PROPERTY OF ST THAT RESERVES THE RIGHTS ENACTED FROM THE LAWS"  
 "STMicroelectronics assumes no responsibility for the consequences of the use of this board"



Title: <b>UR6W/L9965P Promotion Board TQFP32(3Q)</b>	
Part number: <b>APMS-ASP-ASA-01-2512-07-R.0.0</b>	Revision: <b>R.0.0</b>
Date: <b>09/04/2025</b>	Size: <b>A3</b>
Document name: <b>Board Connector.SchDoc</b>	
Sheet 3 of 4	

"THE DRAWING IS PROPERTY OF ST THAT RESERVES THE RIGHTS ENACTED FROM THE LAWS"  
 "STMicroelectronics assumes no responsibility for the consequences of the use of this board"




**STMicroelectronics**  
 APMS-SPS Subgroup  
 life.augmented

Title: <b>UR6W/L9965P Promotion Board TQFP32(3Q)</b>	
Part number: <b>APMS-ASP-ASA-01-2512-07-R.0.0</b>	Revision: <b>R.0.0</b>
Date: <b>09/04/2025</b>	Size: <b>A3</b>
Document name: <b>Supply_SchDoc</b>	Sheet <b>4</b> of <b>4</b>

"THE DRAWING IS PROPERTY OF ST THAT RESERVES THE RIGHTS ENACTED FROM THE LAWS"  
 "STMicroelectronics assumes no responsibility for the consequences of the use of this board"