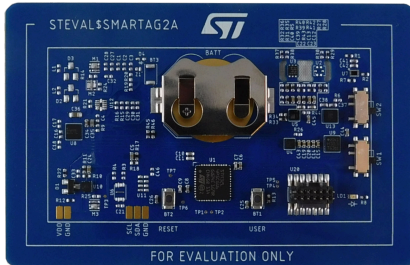


## NFC dynamic tag sensor and processing node evaluation board



### Features

- **NFCSENSORTAG.BOX**: optimized form factor and encapsulated in a plastic case for testing
- **ST25DV64KC-JF6D3** dynamic NFC/RFID tag IC with 64-Kbit EEPROM and fast transfer mode capability
- **STM32L4P5-CGU6** ultra-low-power Arm® Cortex®-M4 32-bit MCU+FPU, 150 DMIPS, up to 1-MB flash memory, 320-KB SRAM, LCD-TFT, external SMPS
- **LSM6DSO32X** iNEMO 6 DoF inertial module with 32 g accelerometer and embedded machine learning core
- **LIS2DUXS12** ultra-low-power 3-axis smart accelerometer with machine learning core and Qvar
- **H3LIS331DL** MEMS motion sensor: low-power high-g 3-axis digital accelerometer
- **LPS22DF** low-power and high-precision MEMS nano pressure sensor: 260-1260 hPa absolute digital output barometer
- **STTS22H** low-voltage, ultra-low-power, 0.5 °C accuracy I<sup>2</sup>C/SMBus 3.0 temperature sensor
- **VD6283TX** Ambient Light Sensor with Hybrid filter multispectral and with embedded light flicker engine
- **STLQ020** 200 mA ultra-low quiescent current LDO
- **STBC15** ultra-low current consumption linear battery charger (optional component, not populated)
- **STSAFE-A110** authentication, state-of-the-art security for peripherals and IoT devices
- **M41T62LC** low-power serial real-time clocks (RTCs) with alarm (optional component, not populated)
- CR2032 or LIR2032 battery powered (not included)
- STM32Cube function pack (**FP-SNS-SMARTAG2**)
- End-to-end proof of concept ecosystem mobile app and cloud dashboard:
  - **DSH-ASSETTRACKING** web cloud dashboard
  - **STAssetTracking** mobile app available on Google Play and App store
- Suitable for the following applications:
  - Internet of things
  - Supply chain and cold-chain management
  - Smart building, home, and city
  - Retail and apparel
  - Smart packaging
  - Medical and pharmaceutical
  - Batteryless sensing
  - Smart agriculture (soil control, animal tracking)
  - Asset tracking
  - Impact detection

### Product summary

NFC dynamic tag sensor and processing node evaluation board	<a href="#">STEVAL-SMARTAG2</a>
Dynamic NFC/RFID tag IC with 64-Kbit EEPROM, and fast transfer mode capability	<a href="#">ST25DV64KC-JF6D3</a>
Ultra-low-power 3-axis smart accelerometer with machine learning core and Qvar	<a href="#">LIS2DUXS12TR</a>
Low-power and high-precision MEMS nano pressure sensor: 260-1260 hPa absolute digital output barometer	<a href="#">LPS22DFTR</a>
Ambient Light Sensor with Hybrid filter multispectral and with embedded light flicker engine	<a href="#">VD6283TX45/1</a>
Low power High-g 3-axis accelerometer, SPI/I2C digital output MEMS motion sensor, user-selectable full scales of ±100g/±200g/±400g	<a href="#">H3LIS331DLTR</a>
iNEMO inertial module: always-on 3D accelerometer and 3D gyroscope	<a href="#">LSM6DSO32XTR</a>

Product summary	
Authentication, state-of-the-art security for peripherals and IoT devices	<a href="#">STSAFE-A110</a>
Cloud Amazon-based web application for asset tracking	<a href="#">DSH-ASSETTRACKING</a>
ST Asset Tracking application for Android and iOS	<a href="#">STassetTracking</a>
Applications	IoT Applications

## Description

The **STEVAL-SMARTAG2** is an NFC-enabled sensor node with inertial MEMS sensors and environmental sensors, an STM32 microcontroller, and a dynamic NFC tag for communication with NFC readers, such as tablets and smartphones.

Optionally, the **STEVAL-SMARTAG2** can be equipped with: a battery charger fed by a full-wave rectifier for NFC energy harvesting (on top of the energy harvester already embedded in the dynamic NFC tag) and a real-time clock (RTC) with an embedded crystal oscillator to enable an accurate timekeeping and time stamping.

The board has a small and thin form factor, comparable to the size of a credit card, which makes it particularly fit for deployment in the field and data collection.

# 1 Schematic diagrams

Figure 1. STEVAL-SMARTAG2 circuit schematic (1 of 6)

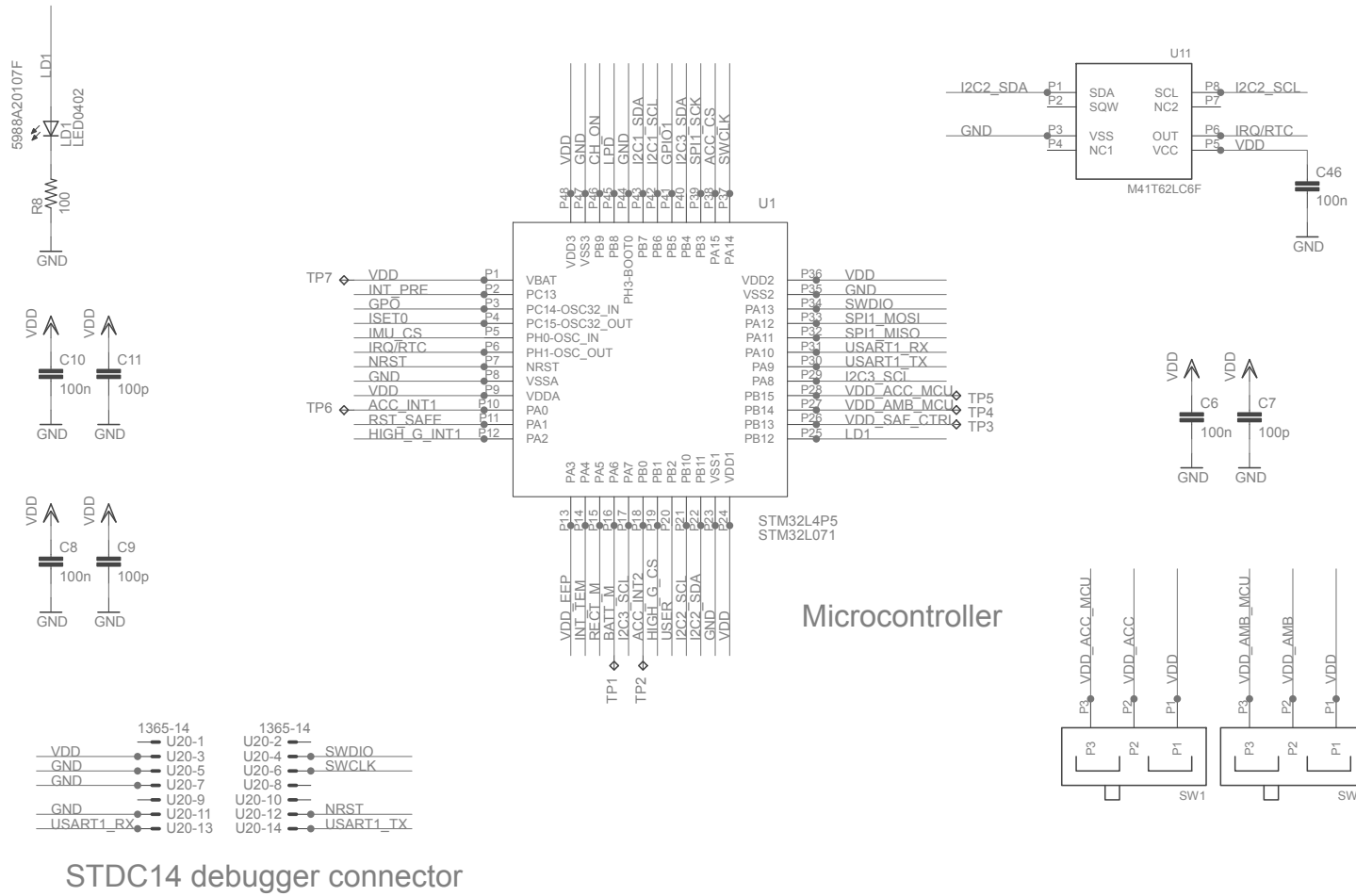


Figure 2. STEVAL-SMARTAG2 circuit schematic (2 of 6)

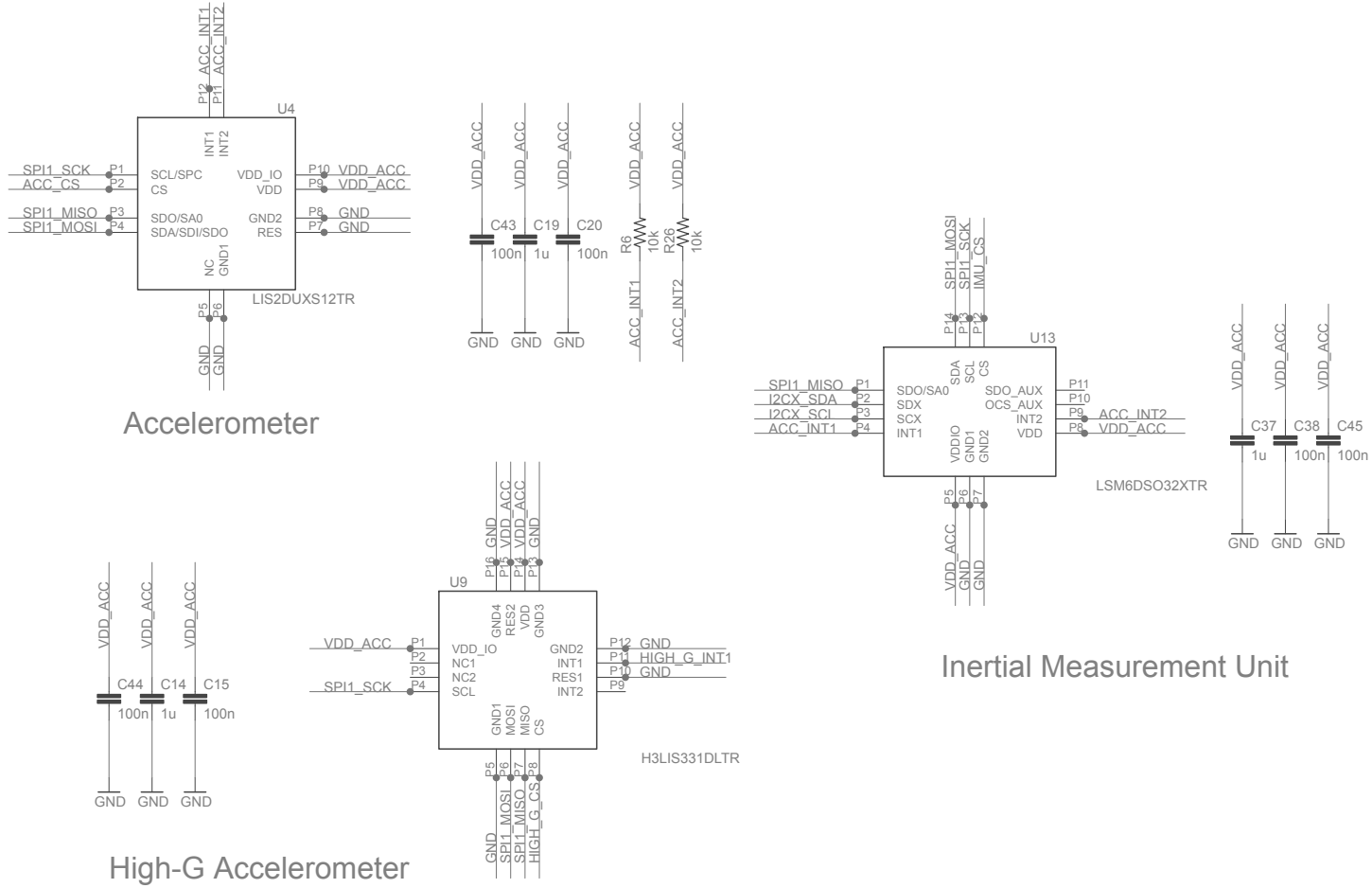


Figure 3. STEVAL-SMARTAG2 circuit schematic (3 of 6)

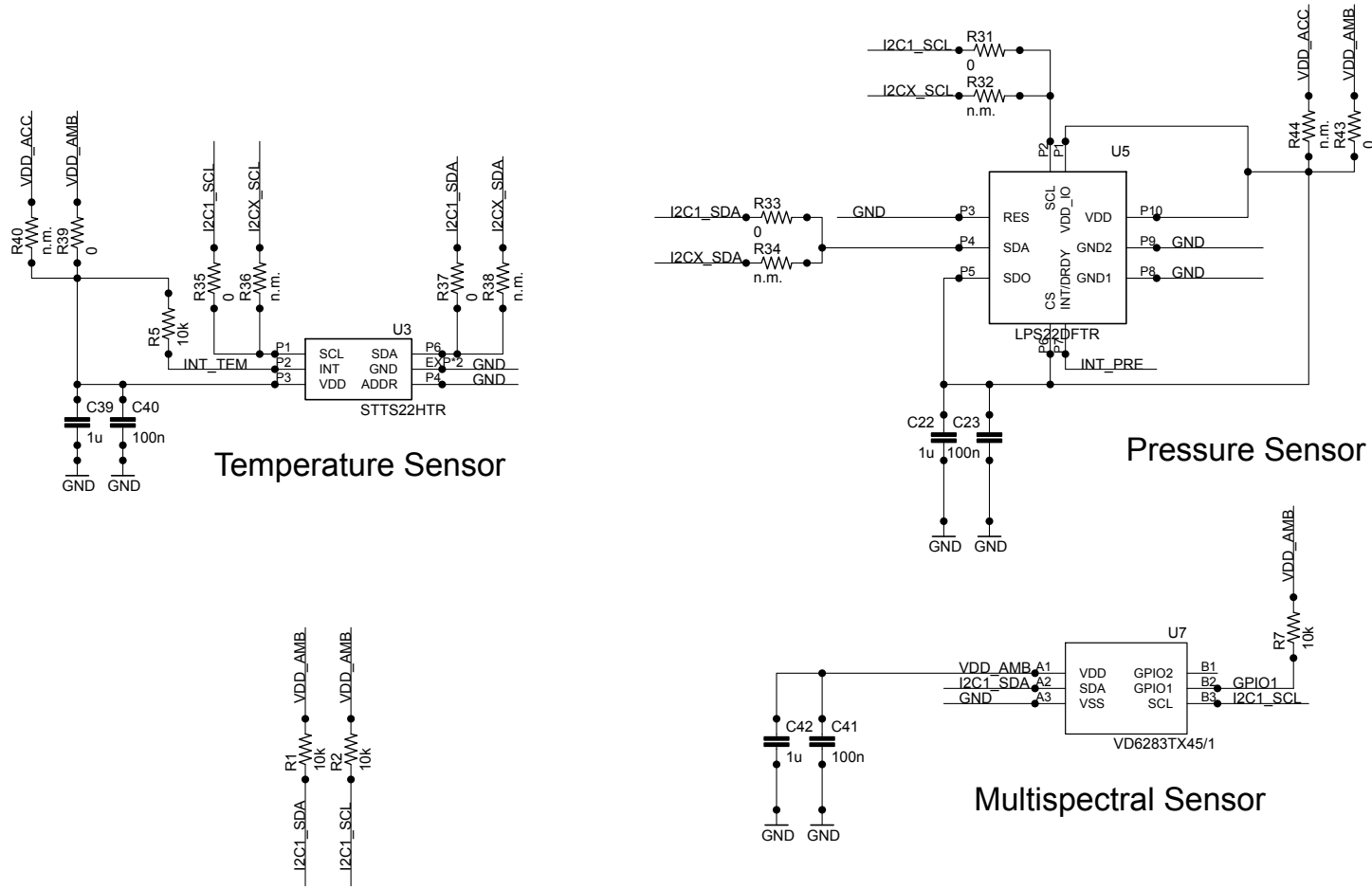


Figure 4. STEVAL-SMARTAG2 circuit schematic (4 of 6)

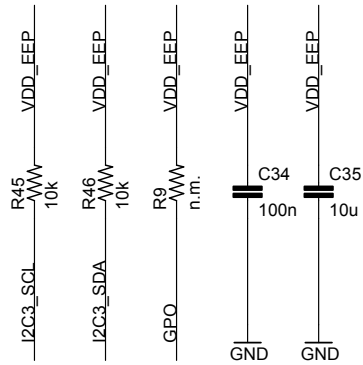
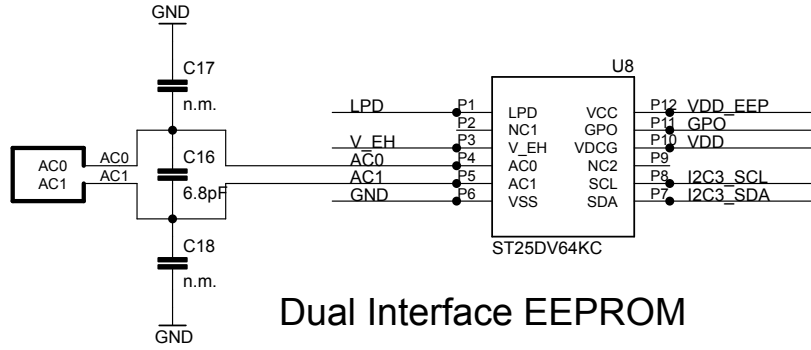
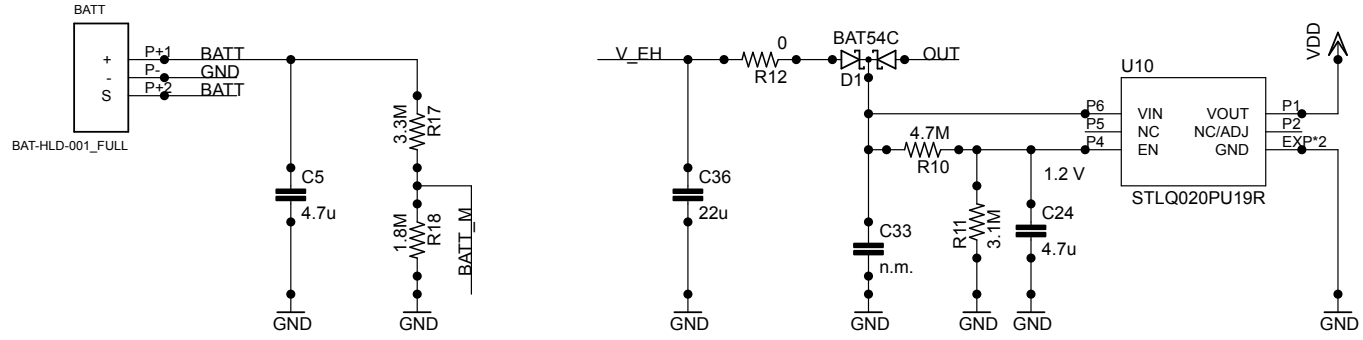


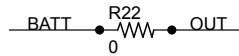
Figure 5. STEVAL-SMARTAG2 circuit schematic (5 of 6)



LIR2032 Battery

$$BATT\_M(v) = BATT * 0.353$$

Linear regulator (1.9 V)



PAD3  
X ● I2C2\_SCL

PAD4  
X ● I2C2\_SDA

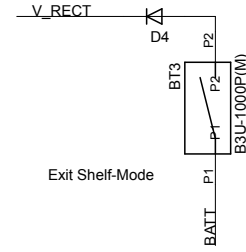
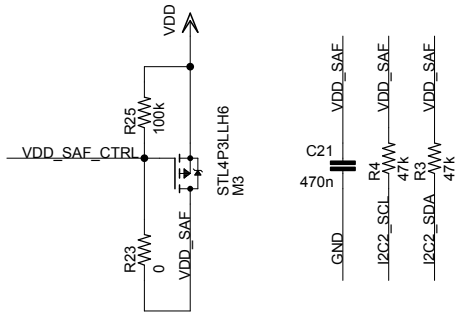
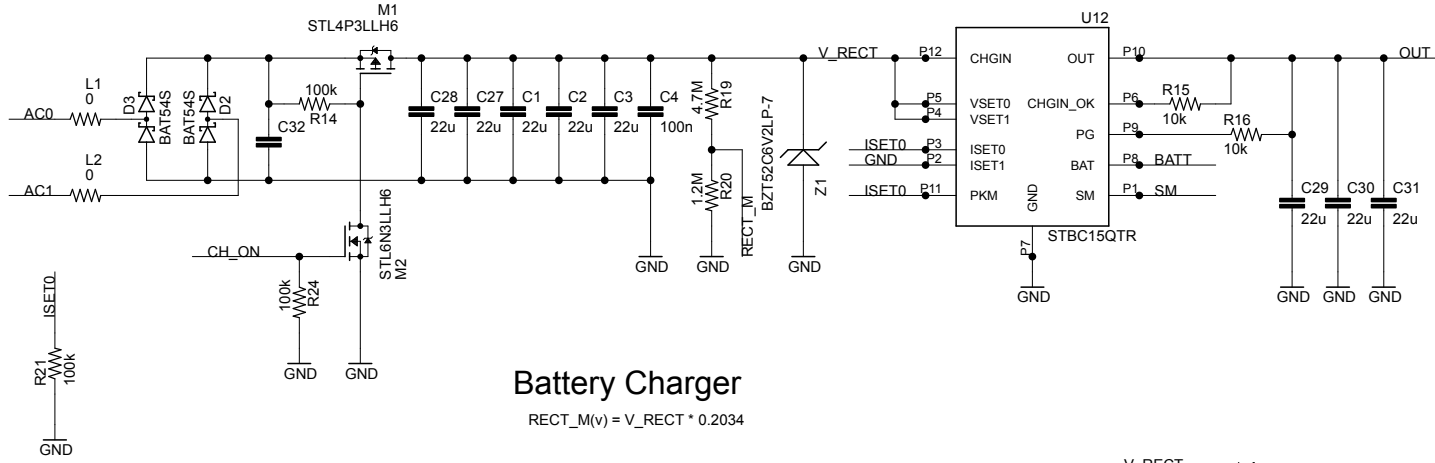
PAD5  
X ● VDD

PAD6  
X ● GND

PAD8  
X ● GND



Figure 6. STEVAL-SMARTAG2 circuit schematic (6 of 6)





## 2 Board versions

**Table 1. STEVAL-SMARTAG2 versions**

PCB version	Schematic diagrams	Bill of materials
STEVAL\$SMARTAG2A <sup>(1)</sup>	STEVAL\$SMARTAG2A schematic diagrams	STEVAL\$SMARTAG2A bill of materials
STEVAL\$SMARTAG2B <sup>(2)</sup>	STEVAL\$SMARTAG2B schematic diagrams	STEVAL\$SMARTAG2B bill of materials

1. This code identifies the STEVAL-SMARTAG2 evaluation board first version. It is printed on the board PCB.
2. This code identifies the STEVAL-SMARTAG2 evaluation board second version. It is printed on the board PCB.

## Revision history

**Table 2. Document revision history**

Date	Revision	Changes
11-Nov-2022	1	Initial release.
06-Jun-2023	2	Updated Features, Description, Version and Schematic diagrams.

**IMPORTANT NOTICE – READ CAREFULLY**

STMicroelectronics NV and its subsidiaries (“ST”) reserve the right to make changes, corrections, enhancements, modifications, and improvements to ST products and/or to this document at any time without notice. Purchasers should obtain the latest relevant information on ST products before placing orders. ST products are sold pursuant to ST’s terms and conditions of sale in place at the time of order acknowledgment.

Purchasers are solely responsible for the choice, selection, and use of ST products and ST assumes no liability for application assistance or the design of purchasers’ products.

No license, express or implied, to any intellectual property right is granted by ST herein.

Resale of ST products with provisions different from the information set forth herein shall void any warranty granted by ST for such product.

ST and the ST logo are trademarks of ST. For additional information about ST trademarks, refer to [www.st.com/trademarks](http://www.st.com/trademarks). All other product or service names are the property of their respective owners.

Information in this document supersedes and replaces information previously supplied in any prior versions of this document.

© 2023 STMicroelectronics – All rights reserved