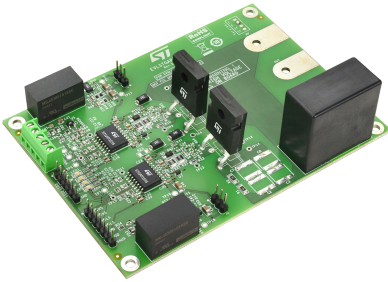


Half-bridge evaluation board for STGAP3S3S SiC MOSFET galvanically isolated gate driver with protection



Product status link

[EVLSTGAP3S3S](#)

Features

- **Board**
 - Half-bridge configuration
 - High-voltage rail up to 1200 V (limited by the SiC MOSFET's and capacitor's rating)
 - SCT10N120AG SiCs: 1200 V, 12 A
 - Compatible with 5 V and 3.3 V MCUs
 - VDD logic supplied by onboard-generated 3.3 V or VAUX = 5 V
 - Onboard isolated DC-DC converters to supply high-side and low-side gate drivers, fed by VAUX = 5 V, with 5.4 kV_{pk} maximum isolation
 - Easy jumper selection of driving voltage configuration: +15/0 V; +15/-4.7 V; +12/0 V; +12/-4.7 V
 - Fault LED indicators
 - Maximum working voltage across isolation: 1200 V
 - RoHS compliant
- **STGAP3S3S device**
 - Driver current capability: 3 A source/sink @ 25 °C
 - 75 ns input-output propagation delay
 - Internal Miller CLAMP
 - UVLO function
 - Desaturation protection
 - Adjustable soft turn-off
 - Gate driving voltage up to 32 V
 - Negative gate driving voltage
 - 3.3 V, 5 V TTL/CMOS inputs with hysteresis
 - Temperature shutdown protection
 - Reinforced galvanic isolation:
 - Isolation voltage $V_{ISO} = 5.7 \text{ kV}_{RMS}$ (UL 1577)
 - Transient overvoltage $V_{IOTM} = 8 \text{ kV}_{PEAK}$ (IEC 60747-17)
 - Max. repetitive isolation voltage $V_{IORM} = 1.2 \text{ kV}_{PEAK}$ (IEC 60747-17)

Description

The **EVLSTGAP3S3S** is a half-bridge evaluation board designed to evaluate the **STGAP3S3S** isolated single gate driver.

The **STGAP3S3S** is characterized by 3 A current capability, rail-to-rail outputs, and optimized UVLO and DESAT protection thresholds for SiC MOSFETs, which makes the device optimal for high-power motor drivers in industrial applications.

The gate driver has a single output pin and an internal Miller CLAMP, which optimizes positive and negative gate spikes' suppression during fast commutations in half-bridge topologies.

The board is supplied by the 5 V VAUX connection, which fed the isolated DC-DC converters for the low-side and high-side driving sections. The gate drivers can be directly supplied by VAUX if a 5 V MCU is used, or by the onboard linear regulator if a 3.3 V MCU is used. The PWM and Reset inputs can be easily controlled through dedicated connectors while diagnostic outputs are connected to an onboard LED.

Device protection features (Desaturation, soft turn-off and Miller clamp) are connected to the recommended network on the board and can be easily evaluated through the board test points.

Dual input pins allow the selection of signal polarity control and implementation of HW interlocking protection to avoid cross-conduction in case of controller malfunction.

The device allows implementing negative gate driving, and the onboard isolated DC-DC converters allow working with optimized driving voltage for SiC MOSFETs.

The EVLSTGAP3S3S board allows evaluating all of the STGAP3S3S features while operating with a bus voltage up to 1200 V.

1 Safety and operating instructions



1.1 General terms

Warning: *During assembly, testing, and operation, the evaluation board poses several inherent hazards, including bare wires, moving or rotating parts, and hot surfaces.*

Danger: *There is a danger of serious personal injury, property damage, or death due to electrical shock and burn hazards if the kit or components are improperly used or installed incorrectly.*

Attention: *The kit is not electrically isolated from the high-voltage supply DC input. No insulation is ensured between the accessible parts and the high voltage. All measuring equipment must use adequately insulated probes, clamps, and connecting wires. Never touch the evaluation board while it is energized as it can cause an electrical shock hazard.*

Important: *All operations involving transportation, installation, use, and maintenance must be performed by skilled technical personnel able to understand and implement national accident prevention regulations. For the purposes of these basic safety instructions, "skilled technical personnel" are suitably qualified people who are familiar with the installation, use, and maintenance of power electronic systems.*

1.2 Intended use of the evaluation board

The evaluation board is designed for demonstration purposes only, and must not be used for electrical installations or machinery. Technical data and information concerning the power supply conditions are detailed in the documentation and should be strictly observed.

1.3 Installing the evaluation board

- The installation and cooling of the evaluation board must comply with the specifications and target application.
- The board must be protected against excessive strain. In particular, components should not be bent, nor should isolating distances be altered during transportation or handling.
- No contact must be made with other electronic components and contacts.
- The board contains electrostatically sensitive components that are prone to damage if used incorrectly. Do not mechanically damage or destroy the electrical components (potential health risks).

1.4 Operating the evaluation board

To properly operate the board, follow these safety rules.

1. Work area safety:
 - The work area must be clean and tidy.
 - Do not work alone when boards are energized.
 - Protect against inadvertent access to the area where the board is energized using suitable barriers and signs.
 - A system architecture that supplies power to the evaluation board must be equipped with additional control and protective devices compliant with the applicable safety requirements (that is, compliant with technical equipment and accident prevention rules).
 - Use a non-conductive and stable work surface.
 - Use adequately insulated clamps and wires to attach measurement probes and instruments.
2. Electrical safety:
 - Remove the power supply from the board and electrical loads before taking any electrical measurements.
 - Proceed with the arrangement of measurement setup, wiring, or configuration, paying attention to high-voltage sections.
 - Once the setup is complete, energize the board.

Danger: *Do not touch the board when it is energized or immediately after it has been disconnected from the voltage supply as several parts and power terminals containing potentially energized capacitors need time to discharge.
Do not touch the board after disconnection from the voltage supply as several parts, including the PCB, may still be very hot.
The kit is not electrically isolated from DC input.*

3. Personal safety:
 - Always wear suitable personal protective equipment such as insulating gloves and safety glasses.
 - Take adequate precautions and install the board in such a way to prevent accidental touching. Use protective shields such as, for example, an insulating box with interlocks if necessary.

2 Schematic diagrams

Figure 1. EVLSTGAP3S3S schematic diagram - gate driver stage

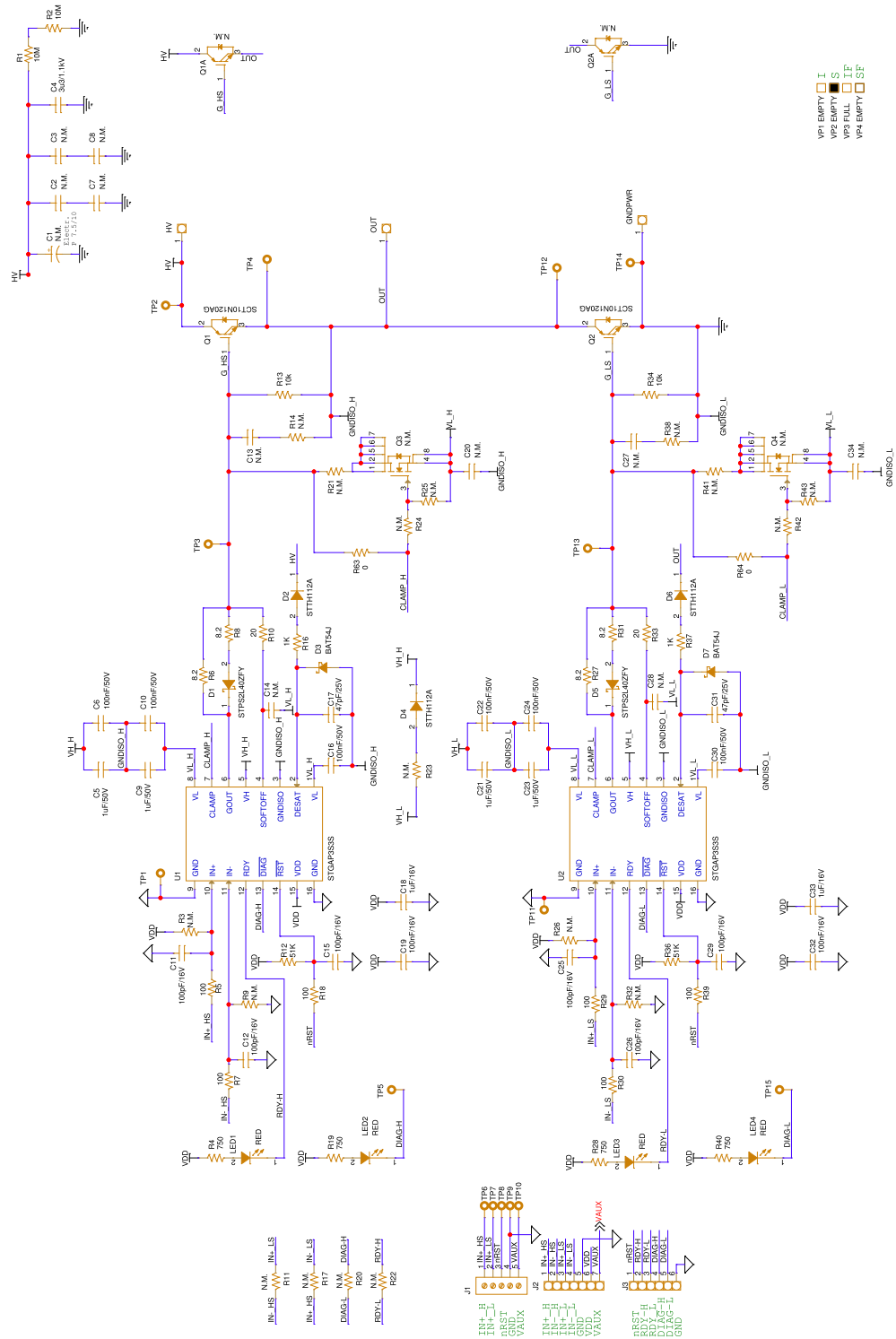
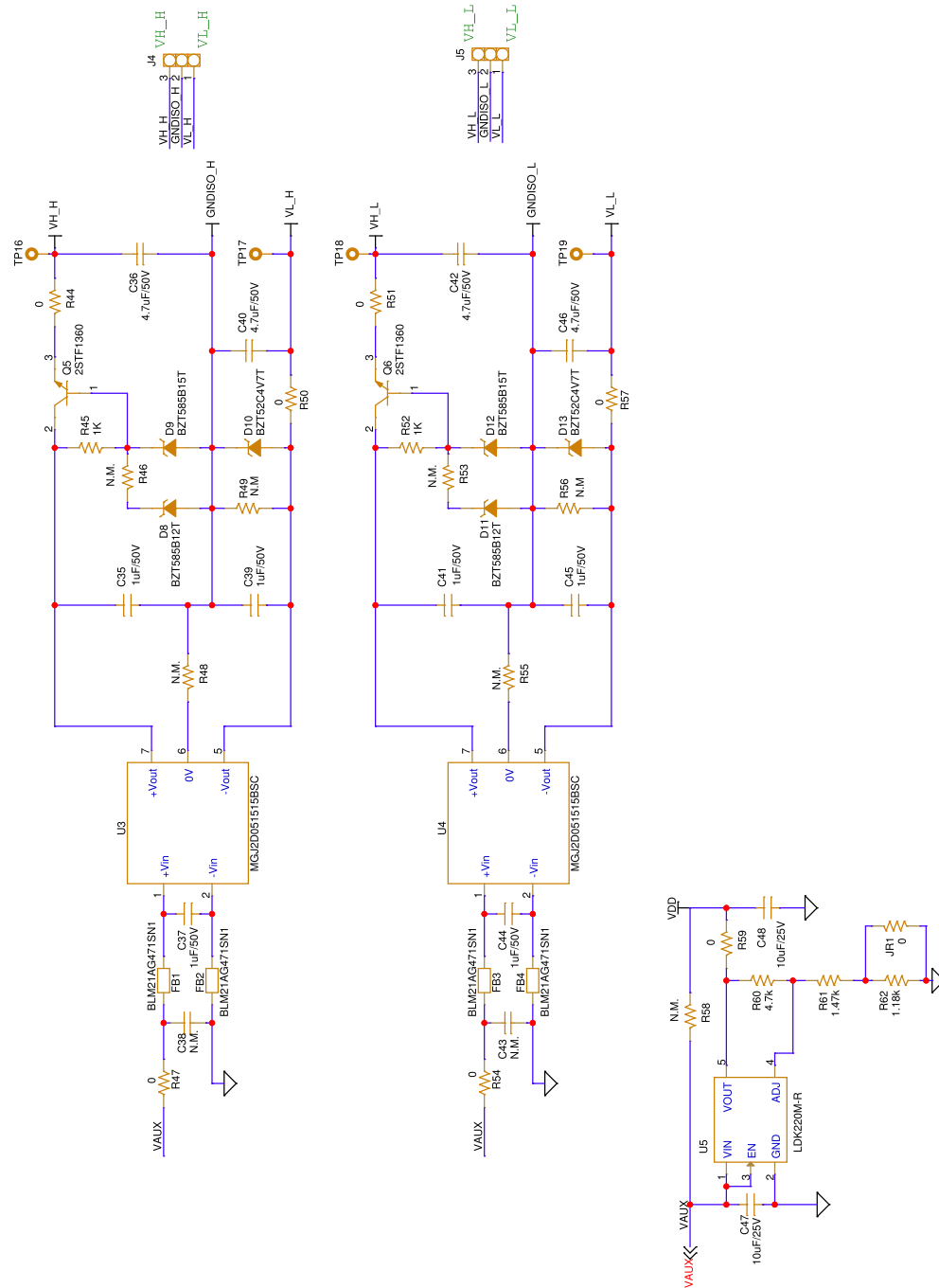


Figure 2. EVLSTGAP3S3S schematic diagram - power supplies



3 Bill of materials

Table 1. EVLSTGAP3S3S bill of materials

Part reference	Part description	Part value	Package / manufacturer' code
C1	THT electrolytic capacitor	N.M.	Diam 22 mm, pitch 7.5/10 mm
C2, C3, C7, C8	SMT ceramic capacitor	N.M.	Size 2225
C4	Film capacitor	3.3 μ F / 1.1 kV	Pitch 27.5 mm Panasonic ECWFG1B335J
C5, C9, C21, C23, C35, C37, C39, C41, C44, C45	SMT ceramic capacitor	1 μ F / 50 V	Size 0603
C6, C10, C16, C22, C24, C30	SMT ceramic capacitor	100 nF / 50 V	Size 0603
C11, C12, C15, C25, C26, C29	SMT ceramic capacitor	100 pF / 16 V	Size 0603
C13, C20, C27, C34, C38, C43	SMT ceramic capacitor	N.M.	Size 0603
C14, C28	SMT ceramic capacitor	N.M.	Size 0402
C17, C31	SMT ceramic capacitor	47 pF / 25 V	Size 0603
C18, C33	SMT ceramic capacitor	1 μ F / 16 V	Size 0603
C19, C32	SMT ceramic capacitor	100 nF / 16 V	Size 0603
C36, C40, C42, C46	SMT ceramic capacitor	4.7 μ F / 50 V	Size 1206
C47, C48	SMT ceramic capacitor	10 μ F / 25 V	Size 0805
D1, D5	Automotive low drop power Schottky rectifier	STPS2L40ZFY	SOD123Flat STMicroelectronics STPS2L40ZFY or equivalent
D2, D4, D6	Diode Ultrafast 1200 V, 1 A	STTH112A	SMA STMicroelectronics STTH112A or equivalent
D3, D7	Small signal Schottky diodes	BAT54JFILM	SOD323Flat STMicroelectronics BAT54JFILM or equivalent
D8, D11	Surface mount precision Zener diode	BZT585B12T	SOD523 Diodes Incorporated BZT585B12T or equivalent
D9, D12	Surface mount precision Zener diode	BZT585B15T	SOD523 Diodes Incorporated BZT585B15T or equivalent
D10, D13	200 mW Zener diode 4.7 V	BZT52C4V7T	SOD523 MCC BZT52C4V7T-TP or equivalent
FB1, FB2, FB3, FB4	Ferrite beads	BLM21AG471SN1	Size 0805 Murata BLM21AG471SN1 or equivalent
OUT, HV, GNDPWR	M3 screw pad	-	Diam. 10 mm, hole diam. 3.2 mm
JR1, R47, R54	SMT resistor	0 Ω	Size 0603

Part reference	Part description	Part value	Package / manufacturer' code
J1	Terminal block T.H.	5 poles	Pitch 3.5 mm Würth Elektronik 691243110005 or equivalent
J2	Strip connector	1x7 pins	Pitch 2.54 mm Amphenol FCI 68000-407HLF or equivalent
J3	Strip connector	1x6 pins	Pitch 2.54 mm Würth Elektronik 61300611121 or equivalent
J4, J5	Strip connector	1x3 pins	Pitch 2.54 mm Würth Elektronik 61300311121 or equivalent
LED1, LED2, LED3, LED4	WL-SMCW SMT mono-color chip LED waterclear	RED	Size 0805 Würth Elektronik 150080RS75000 or equivalent
Q1, Q2	Automotive-grade silicon carbide Power MOSFET 1200 V, 12 A, 520 mΩ	SCT10N120AG	HIP247 STMicroelectronics SCT10N120AG or equivalent
Q1A, Q2A	-	N.M.	TO-220
Q3, Q4	N-channel 60 V, 21 mΩ typ., 7 A STripFET F7 power MOSFET	N.M.	PowerFLAT 2x2 mm STMicroelectronics STL7N6F7 or equivalent
Q5, Q6	Low-voltage fast-switching NPN power transistors	2STF1360	SOT-89 STMicroelectronics 2STF1360 or equivalent
R1, R2	SMT resistor	10 MΩ	Size 1206
R3, R9, R26, R32	SMT resistor	N.M.	Size 0603
R4, R19, R28, R40	SMT resistor	750 Ω	Size 0603
R5, R7, R18, R29, R30, R39	SMT resistor	100 Ω	Size 0603
R6, R27	SMT resistor	8.2 Ω	Size 1210
R8, R31	SMT resistor	8.2 Ω	Size 1210
R10, R33	SMT resistor	20 Ω	Size 0805
R11, R14, R17, R20, R21, R22, R24, R25, R38, R41, R42, R43, R46, R48, R53, R55, R58	SMT resistor	N.M.	Size 0402
R12, R36	SMT resistor	51 kΩ	Size 0603
R13, R34	SMT resistor	10 kΩ	Size 0402
R16, R37	SMT resistor	1 kΩ	Size 0603
R23	SMT resistor	N.M.	Size 1206
R44, R50, R51, R57, R59, R63, R64	SMT resistor	0 Ω	Size 0402
R45, R52	SMT resistor	1 kΩ	Size 0603
R49, R56	SMT resistor	N.M.	Size 0603
R60	SMT resistor	4.7 kΩ	Size 0603

Part reference	Part description	Part value	Package / manufacturer' code
R61	SMT resistor	1.47 k Ω	Size 0603
R62	SMT resistor	1.18 k Ω	Size 0603
TP1, TP2, TP3, TP4, TP5, TP6, TP7, TP8, TP9, TP10, TP11, TP12, TP13, TP14, TP15, TP16, TP17, TP18, TP19	Test point for probe	-	Metalized hole 0.8 mm, diameter 1.27 mm
U1, U2	Galvanically isolated 3 A single gate driver	STGAP3S3S	SO-16W STMicroelectronics
U3, U4	5.4 kVDC isolated 2W gate drive DC-DC converter	MGJ2D051515BSC	Murata MGJ2D051515BSC or equivalent
U5	200 mA low quiescent current and low noise LDO	LDK220M-R	SOT23-5L STMicroelectronics LDK220M-R or equivalent

4 Layout and component placements

Figure 3. Layout - top layer

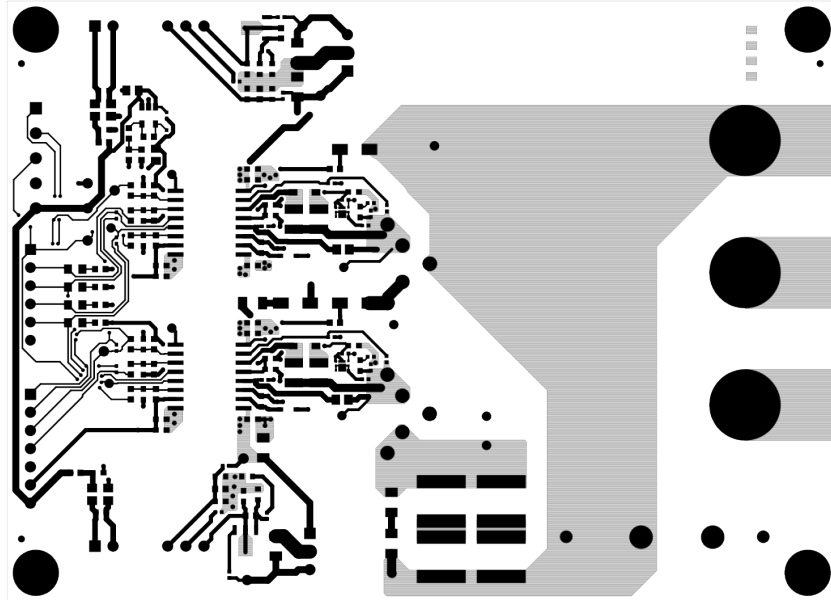


Figure 4. Layout - bottom layer

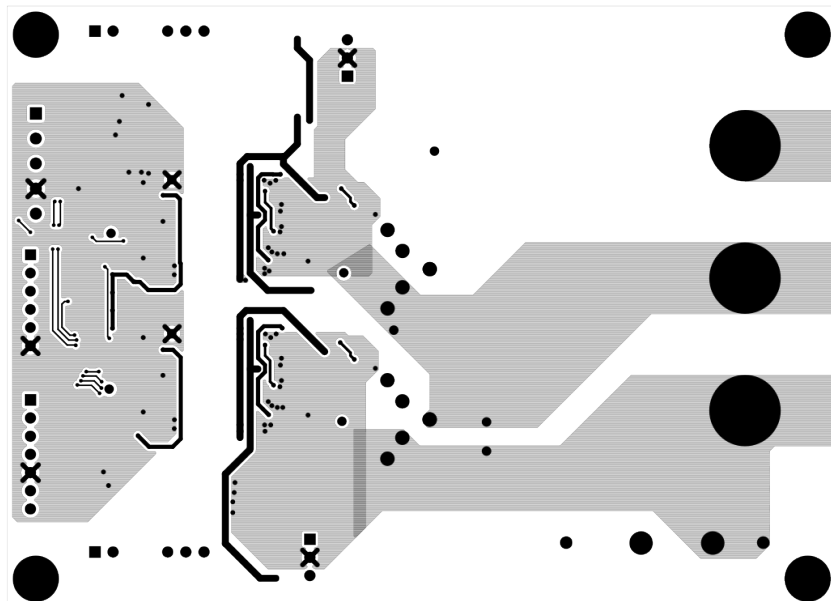
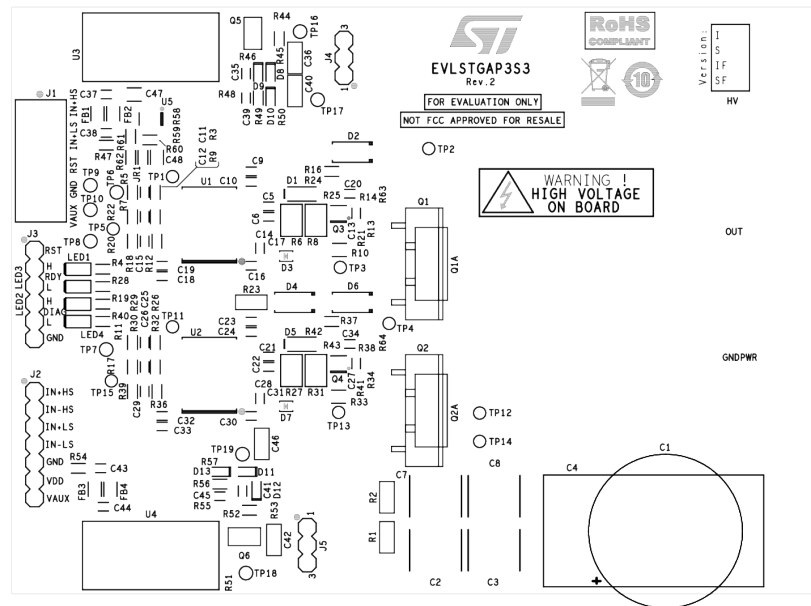


Figure 5. Layout - components placement top view


Revision history

Table 2. Document revision history

Date	Version	Changes
23-Apr-2026	1	Initial release.

Contents

1	Safety and operating instructions	3
1.1	General terms	3
1.2	Intended use of the evaluation board	3
1.3	Installing the evaluation board	3
1.4	Operating the evaluation board	4
2	Schematic diagrams	5
3	Bill of materials	7
4	Layout and component placements	10
	Revision history	12
	List of tables	14
	List of figures	15



List of tables

Table 1.	EVLSTGAP3S3S bill of materials	7
Table 2.	Document revision history	12

List of figures

Figure 1.	EVLSTGAP3S3S schematic diagram - gate driver stage	5
Figure 2.	EVLSTGAP3S3S schematic diagram - power supplies	6
Figure 3.	Layout - top layer	10
Figure 4.	Layout - bottom layer.	10
Figure 5.	Layout - components placement top view.	11

IMPORTANT NOTICE – READ CAREFULLY

STMicroelectronics NV and its subsidiaries (“ST”) reserve the right to make changes, corrections, enhancements, modifications, and improvements to ST products and/or to this document at any time without notice.

In the event of any conflict between the provisions of this document and the provisions of any contractual arrangement in force between the purchasers and ST, the provisions of such contractual arrangement shall prevail.

The purchasers should obtain the latest relevant information on ST products before placing orders. ST products are sold pursuant to ST’s terms and conditions of sale in place at the time of order acknowledgment.

The purchasers are solely responsible for the choice, selection, and use of ST products and ST assumes no liability for application assistance or the design of the purchasers’ products.

No license, express or implied, to any intellectual property right is granted by ST herein.

Resale of ST products with provisions different from the information set forth herein shall void any warranty granted by ST for such product.

If the purchasers identify an ST product that meets their functional and performance requirements but that is not designated for the purchasers’ market segment, the purchasers shall contact ST for more information.

ST and the ST logo are trademarks of ST. For additional information about ST trademarks, refer to www.st.com/trademarks. All other product or service names are the property of their respective owners.

Information in this document supersedes and replaces information previously supplied in any prior versions of this document.

© 2026 STMicroelectronics – All rights reserved